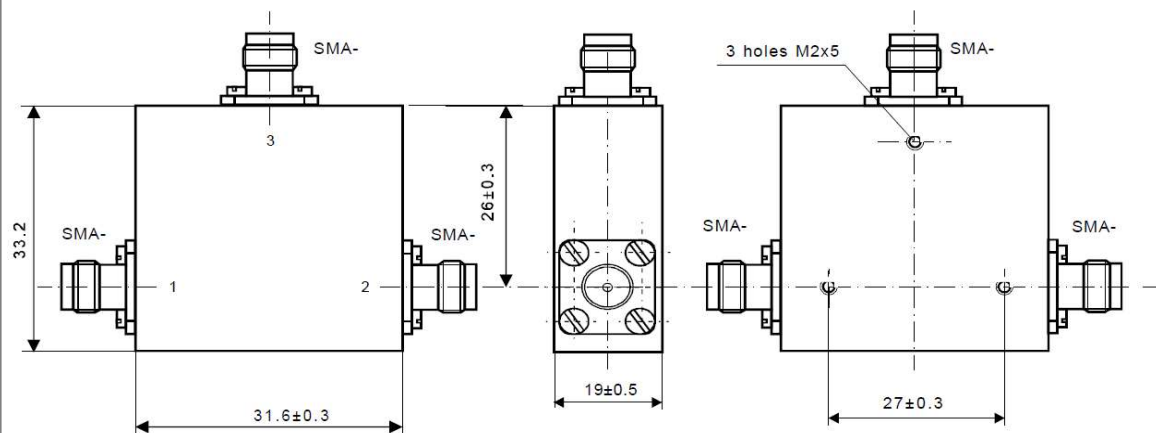


Coaxial Circulator

CC 1.51



Electrical Specifications

	Min	Max	Unit
Operating Frequency	1,425	1,6	GHz
Insertion Loss		0,6	dB
Isolation	20		dB
VSWR		1,25	
Forward Power		1	W
Reverse Power		1	W

Mechanical Specifications

Interface/ Connectors	SMA-
Direction	CCW
Weight	90 g
Housing Material	AlMgSi; Steel
Surface	Conversion Coating; Ni-coated

Environmental Specifications

Operating Temp. Range (°C)	-40	+75
----------------------------	-----	-----