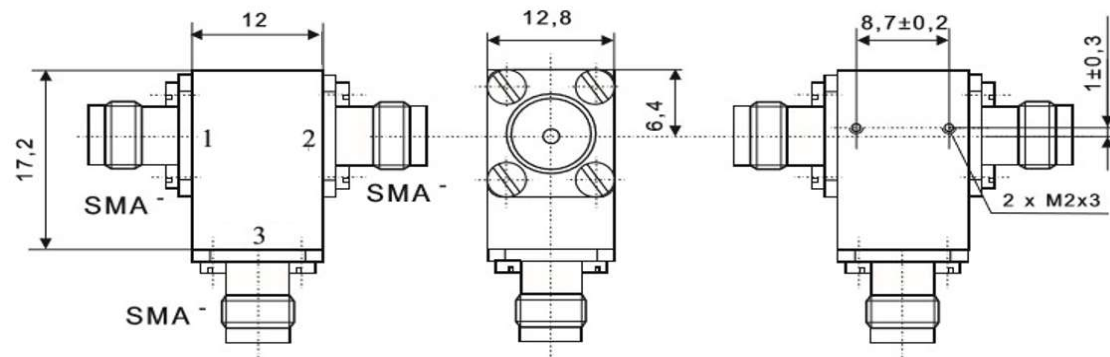


Coaxial Circulator

CC 10.4 aaa v.2



Electrical Specifications

	Min	Max	Unit
Operating Frequency	10,2	10,4	GHz
Insertion Loss		0,5	dB
Isolation	20		dB
VSWR		1,22	
Forward Power		1	W
Reverse Power		1	W

Mechanical Specifications

Interface/ Connectors	SMA -
Direction	CW
Weight	20 g
Housing Material	AlMgSi; Steel
Surface	Conversion Coating; Ni-coated

Environmental Specifications

Operating Temp. Range (° C)	-30	+70
-----------------------------	-----	-----