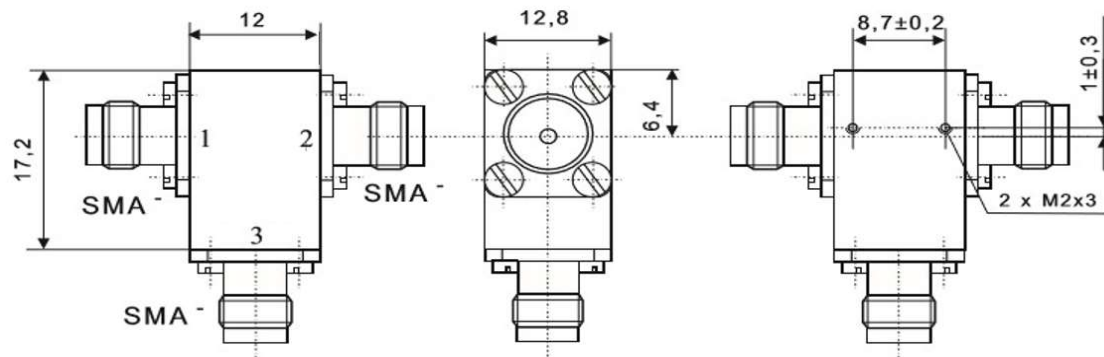


## Coaxial Circulator

### CC 10.4 aaa v.3



#### Electrical Specifications

	Min	Max	Unit
Operating Frequency	10,2	10,6	GHz
Insertion Loss		0,3	dB
Isolation	20		dB
VSWR		1,22	
Forward Power		20	W
Reverse Power		20	W

#### Mechanical Specifications

Interface/ Connectors	SMA -
Direction	CW
Weight	20 g
Housing Material	AlMgSi; Steel
Surface	Conversion Coating; Ni-coated

#### Environmental Specifications

Operating Temp. Range (° C)	-30	+70
-----------------------------	-----	-----