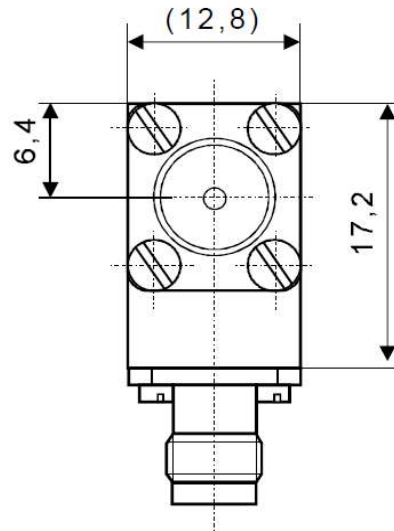
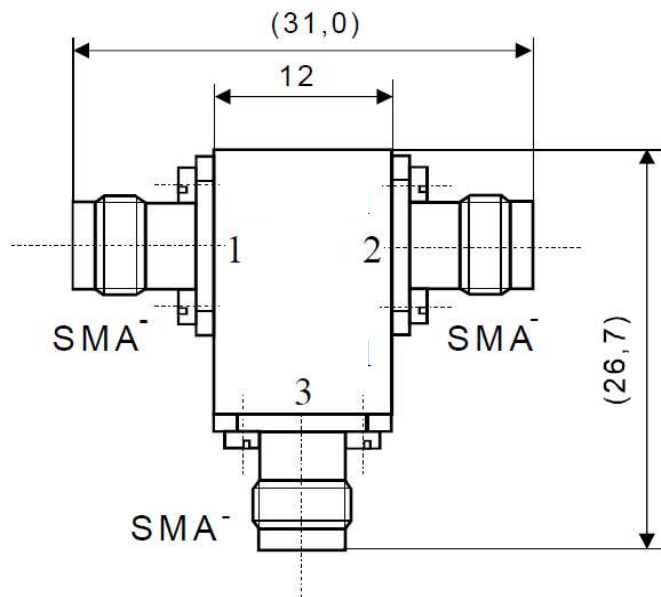


Coaxial Circulator

CC 12.5-1



Electrical Specifications

	Min	Max	Unit
Operating Frequency	11	14	GHz
Insertion Loss		0,35	dB
Isolation	20		dB
VSWR		1,25	
Forward Power		1	W
Reverse Power		1	W

Mechanical Specifications

Interface/ Connectors	SMA-
Direction	CW
Weight	25 g
Housing Material	AlMgSi ; Steel
Surface	Conversion Coating; Ni-coated

Environmental Specifications

Operating Temp. Range (°C)	-20	+70
----------------------------	-----	-----