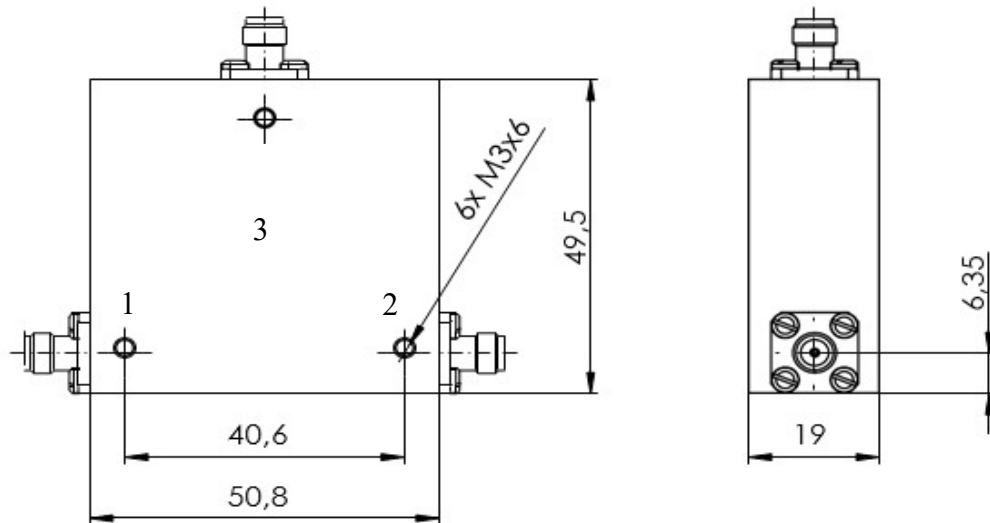


Coaxial Circulator

CC 1225 K



Electrical Specifications

	Min	Max	Unit
Operating Frequency	1,25	2,5	GHz
Insertion Loss		0,8	dB
Isolation	15		dB
VSWR		1,35	
Forward Power		200	W
Reverse Power		200	W

Mechanical Specifications

Interface/ Connectors	SMA -
Direction	CCW
Weight	170 g
Housing Material	AlMgSi; Steel
Surface	Conversion Coating; Ni-coated

Environmental Specifications

Operating Temp. Range (° C)	-40	+85
-----------------------------	-----	-----