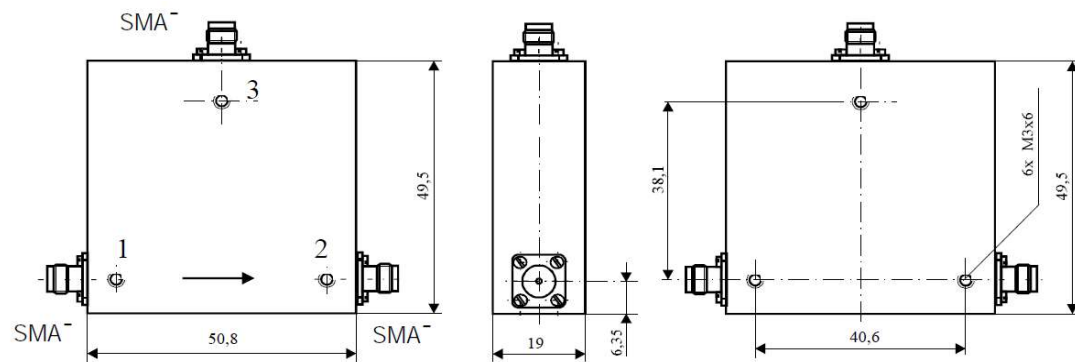


Coaxial Circulator

CC 1327 K aaa



Electrical Specifications

| | Min | Max | Unit |
|---------------------|-----|------|------|
| Operating Frequency | 1,3 | 2,7 | GHz |
| Insertion Loss | | 1 | dB |
| Isolation | 15 | | dB |
| VSWR | | 1,38 | |
| Forward Power | | 50 | W |
| Reverse Power | | 50 | W |

Mechanical Specifications

| | |
|-----------------------|-------------------------------|
| Interface/ Connectors | SMA - |
| Direction | CCW |
| Weight | 175 g |
| Housing Material | AlMgSi; Steel |
| Surface | Conversion Coating; Ni-coated |

Environmental Specifications

| | | |
|----------------------------|-----|-----|
| Operating Temp. Range (°C) | -40 | +85 |
|----------------------------|-----|-----|