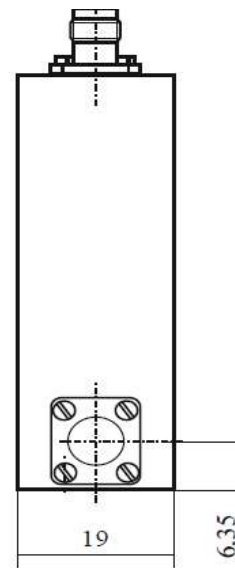
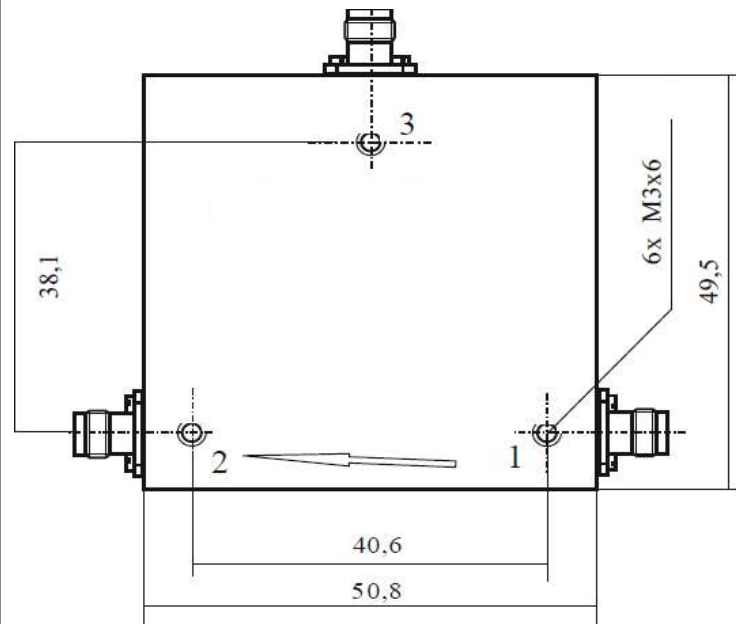


Coaxial Circulator CC 1327 K



Electrical Specifications

	Min	Max	Unit
Operating Frequency	1,35	2,7	GHz
Insertion Loss		0,7	dB
Isolation	15		dB
VSWR		1,35	
Forward Power		20	W
Reverse Power		20	W

Mechanical Specifications

Interface/ Connectors	SMA -
Direction	CW
Weight	175 g
Housing Material	AlMgSi; Steel
Surface	Conversion Coating; Ni-coated

Environmental Specifications

Operating Temp. Range (°C)	-40	+85
----------------------------	-----	-----