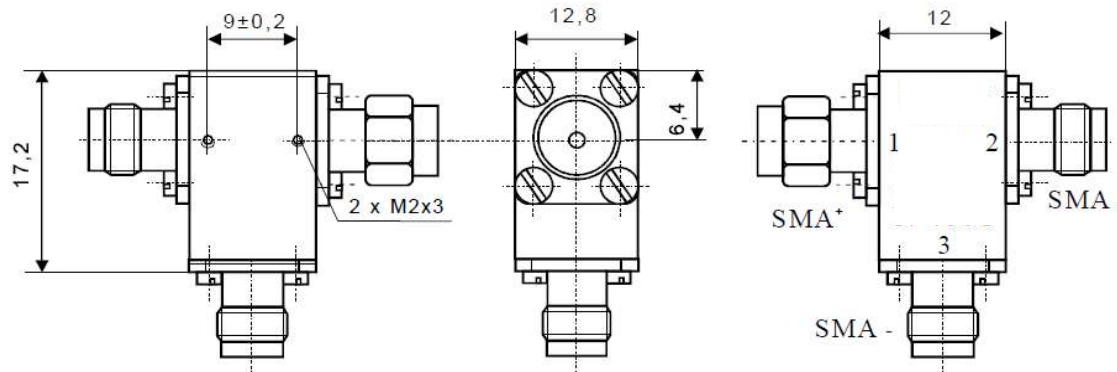


## Coaxial Circulator

CC 14.88 baa



### Electrical Specifications

	Min	Max	Unit
Operating Frequency	14,4	15,36	GHz
Insertion Loss		0,35	dB
Isolation	23		dB
VSWR		1,15	
Forward Power		50	W
Reverse Power		50	W

### Mechanical Specifications

Interface/ Connectors	SMA+; SMA-
Direction	CW
Weight	20 g
Housing Material	AlMgSi; Steel
Surface	Conversion Coating; Ni-coated

### Environmental Specifications

Operating Temp. Range (°C)	-20	+85
----------------------------	-----	-----