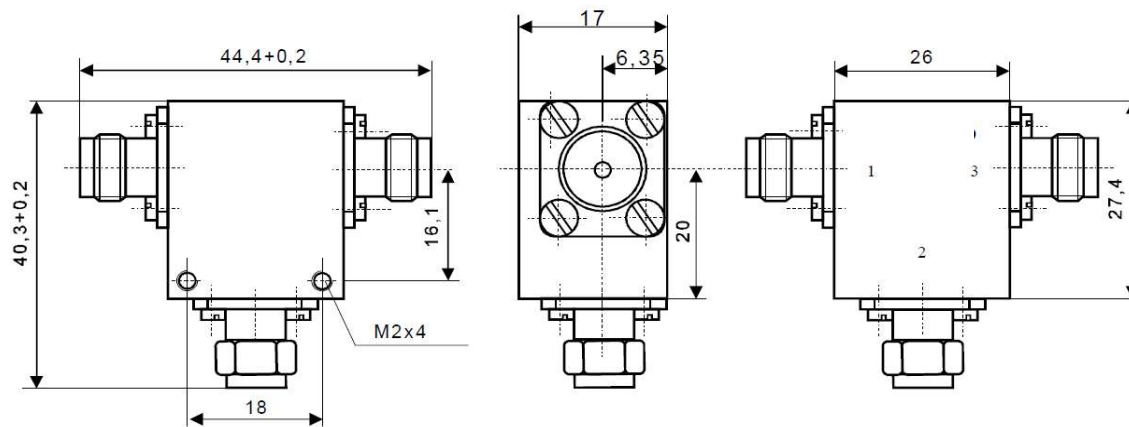


Coaxial Circulator

CC 2.4 aab v.4



Electrical Specifications

	Min	Max	Unit
Operating Frequency	2,3	2,5	GHz
Insertion Loss		0.4	dB
Isolation	20		dB
VSWR		1,22	
Forward Power		12	W
Reverse Power		12	W

Mechanical Specifications

Interface/ Connectors	SMA+;SMA-
Direction	CCW
Weight	60 g
Housing Material	AlMgSi / Steel
Surface	Conversion Coating; Ni-coated

Environmental Specifications

Operating Temp. Range (°C)	-35	+85
----------------------------	-----	-----