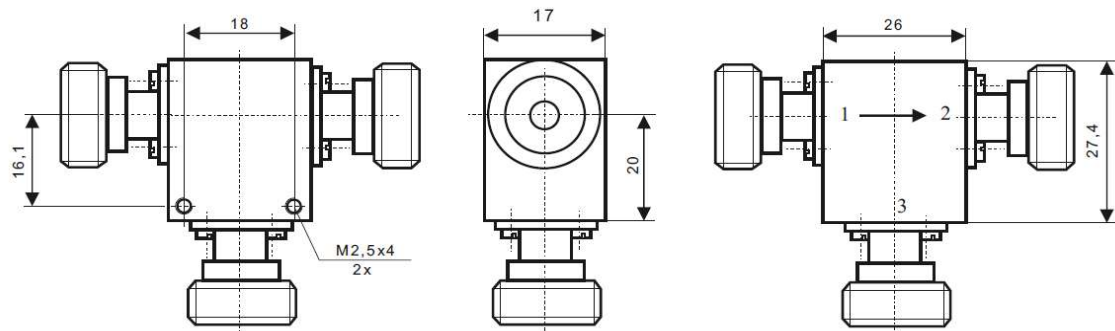


Coaxial Circulator

CC 2.5-500W ccc v.2



Electrical Specifications

	Min	Max	Unit
Operating Frequency	2,4	2,6	GHz
Insertion Loss		0,3	dB
Isolation	19		dB
VSWR		1,17	
Forward Power		500	W
Reverse Power		500	W

Mechanical Specifications

Interface/ Connectors	N-
Direction	CW
Weight	60 g
Housing Material	AlMgSi / Steel
Surface	Conversion Coating; Ni-coated

Environmental Specifications

Operating Temp. Range (°C)	-10	+70
----------------------------	-----	-----