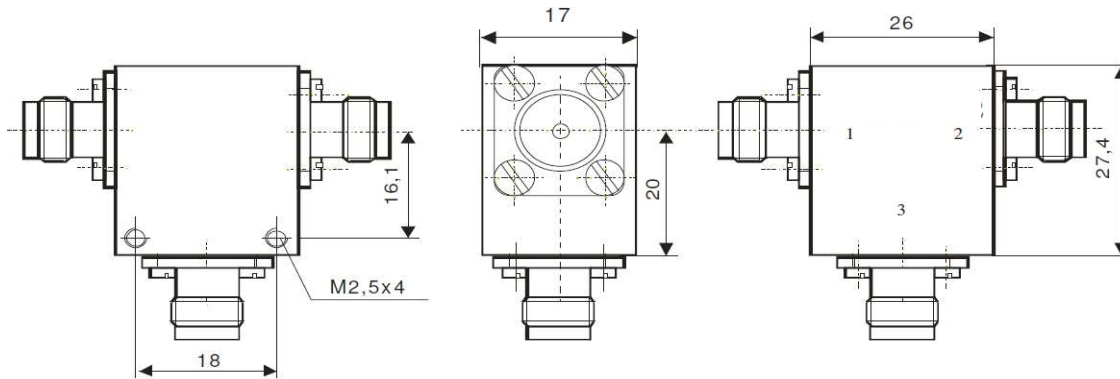


Coaxial Circulator

CC 2.5 v.2



Electrical Specifications

	Min	Max	Unit
Operating Frequency	2,3	2,7	GHz
Insertion Loss		0,35	dB
Isolation	20		dB
VSWR		1,25	
Forward Power		10	W
Reverse Power		10	W

Mechanical Specifications

Interface/ Connectors	SMA -
Direction	CW
Weight	60 g
Housing Material	AlMgSi / Steel
Surface	Conversion Coating; Ni-coated

Environmental Specifications

Operating Temp. Range (°C)	-10	+65
----------------------------	-----	-----