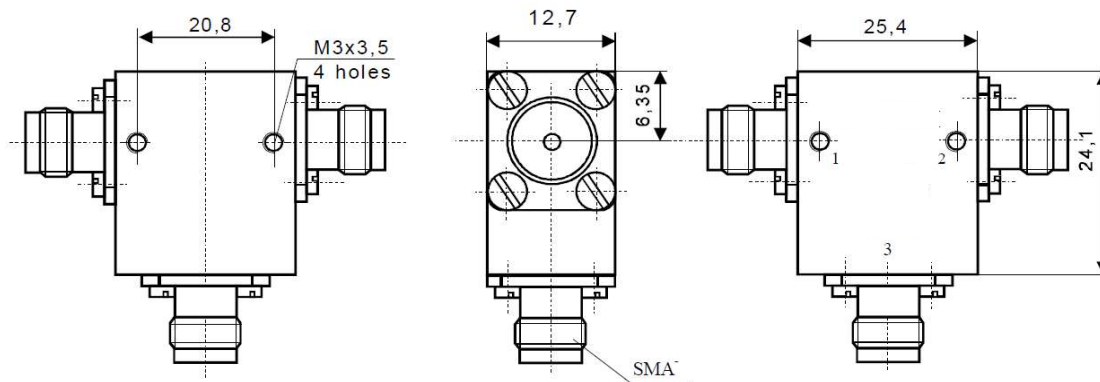


Coaxial Circulator

CC 4.7 M



Electrical Specifications

	Min	Max	Unit
Operating Frequency	4,4	5	GHz
Insertion Loss		0,3	dB
Isolation	20		dB
VSWR		1,25	
Forward Power		50	W
Reverse Power		50	W

Mechanical Specifications

Interface/ Connectors	SMA -
Direction	CW
Weight	60 g
Housing Material	AiMgSi; Steel
Surface	Conversion Coating; Ni-coated

Environmental Specifications

Operating Temp. Range (°C)	-45	+85
----------------------------	-----	-----