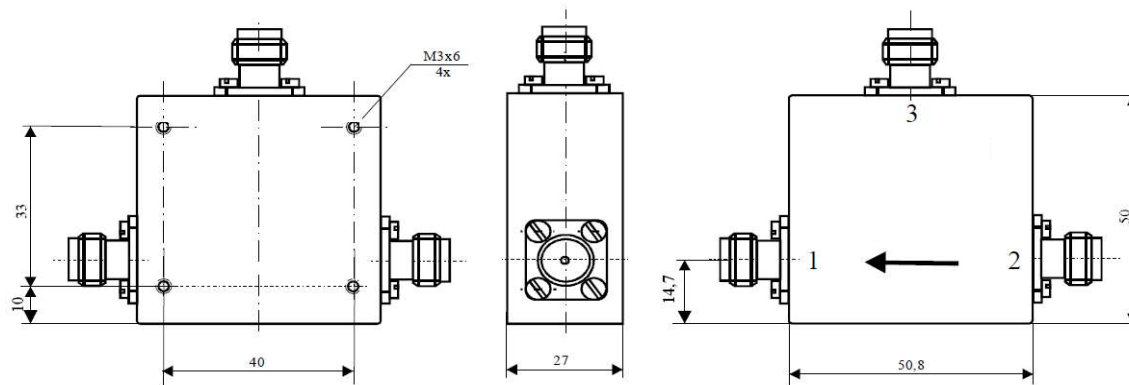


Coaxial Circulator

CC 445 aaa v.2



Electrical Specifications

	Min	Max	Unit
Operating Frequency	0,42	0,47	GHz
Insertion Loss		0,5	dB
Isolation	20		dB
VSWR		1,25:1	
Forward Power		50	W
Reverse Power		50	W

Mechanical Specifications

Interface/ Connectors	SMA -
Direction	CW
Weight	350 g
Housing Material	AlMgSi; Steel
Surface	Conversion Coating; Ni-coated

Environmental Specifications

Operating Temp. Range (°C)	-40	+75
----------------------------	-----	-----