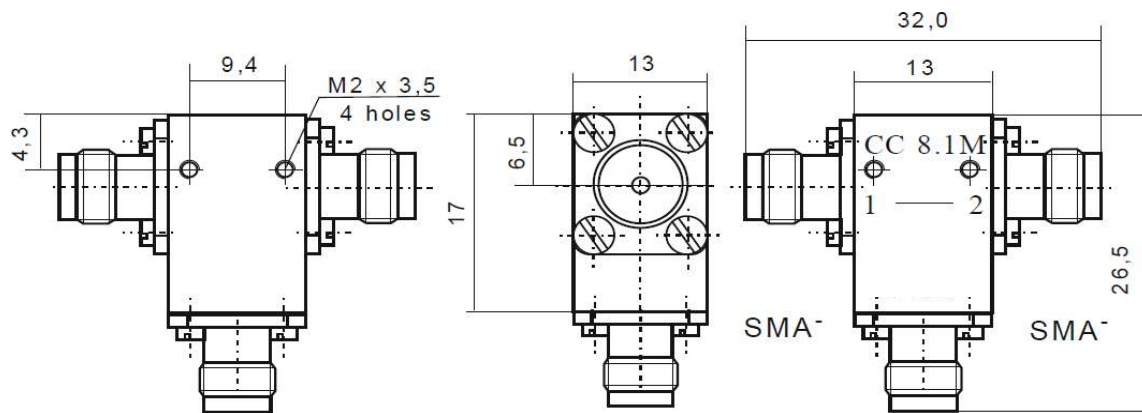


## Coaxial Circulator

### CC 8.1 M



#### Electrical Specifications

	Min	Max	Unit
Operating Frequency	7,75	8,5	GHz
Insertion Loss		0,3	dB
Isolation	20		dB
VSWR		1,25	
Forward Power		30	W
Reverse Power		30	W

#### Mechanical Specifications

Interface/ Connectors	SMA -
Direction	CW
Weight	25 g
Housing Material	AlMgSi; Steel
Surface	Conversion Coating; Ni-coated

#### Environmental Specifications

Operating Temp. Range (°C)	-40	+85
----------------------------	-----	-----