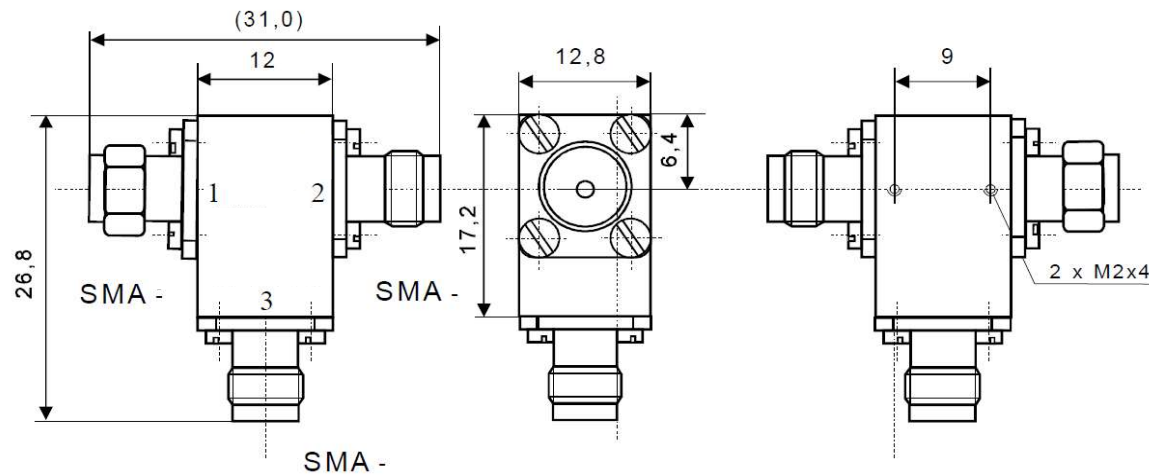


Coaxial Circulator

CC 8.15-Sbaa



Electrical Specifications

	Min	Max	Unit
Operating Frequency	7,9	8,4	GHz
Insertion Loss		0,3	dB
Isolation	20		dB
VSWR		1,15	
Forward Power		40	W
Reverse Power		40	W

Mechanical Specifications

Interface/ Connectors	SMA -
Direction	CW
Weight	25 g
Housing Material	AlMgSi; Steel
Surface	Conversion Coating; Ni-coated

Environmental Specifications

Operating Temp. Range (°C)	-20	+65
----------------------------	-----	-----