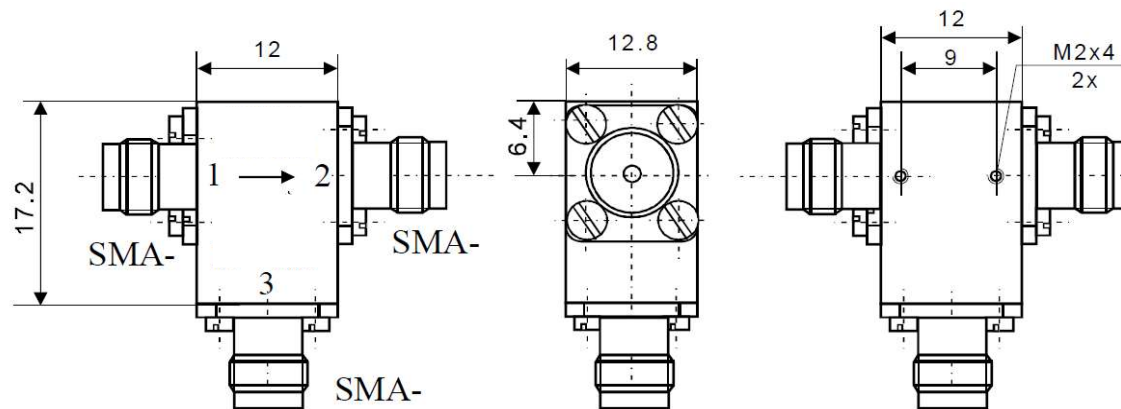


Coaxial Circulator

CC 9.5-50W aaa



Electrical Specifications

	Min	Max	Unit
Operating Frequency	9	10	GHz
Insertion Loss		0,35	dB
Isolation	23		dB
VSWR		1.20:1	
Forward Power		50	W
Reverse Power		50	W

Mechanical Specifications

Interface/ Connectors	SMA -
Direction	CW
Weight	25 g
Housing Material	AlMgSi ; Steel
Surface	Conversion Coating; Ni-coated

Environmental Specifications

Operating Temp. Range (°C)	-10	+65
----------------------------	-----	-----