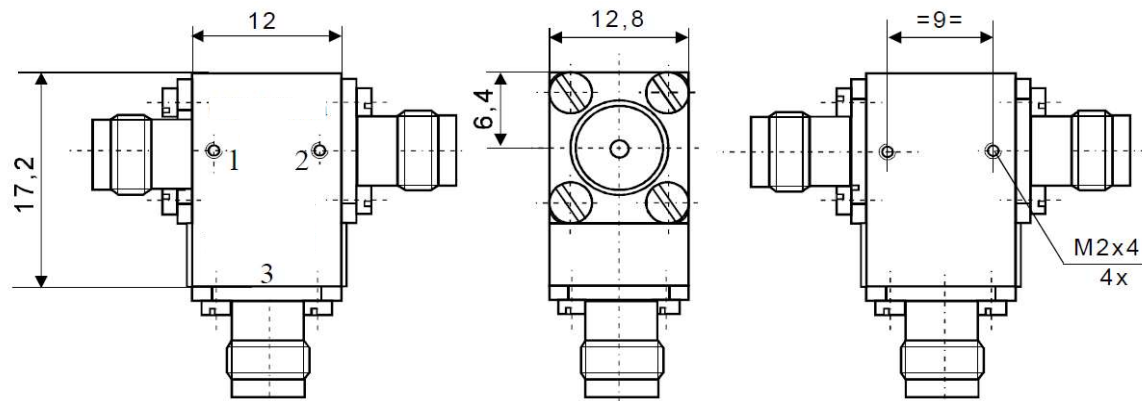


Coaxial Circulator

CC 9.85 aaa v.2



Electrical Specifications

	Min	Max	Unit
Operating Frequency	9,3	10,4	GHz
Insertion Loss		0,5	dB
Isolation	23		dB
VSWR		1,29:1	
Forward Power		1	W
Reverse Power		1	W

Mechanical Specifications

Interface/ Connectors	SMA -
Direction	CW
Weight	25 g
Housing Material	AlMgSi; Steel
Surface	Conversion Coating; Ni-coated

Environmental Specifications

Operating Temp. Range (°C)	-30	+70
----------------------------	-----	-----