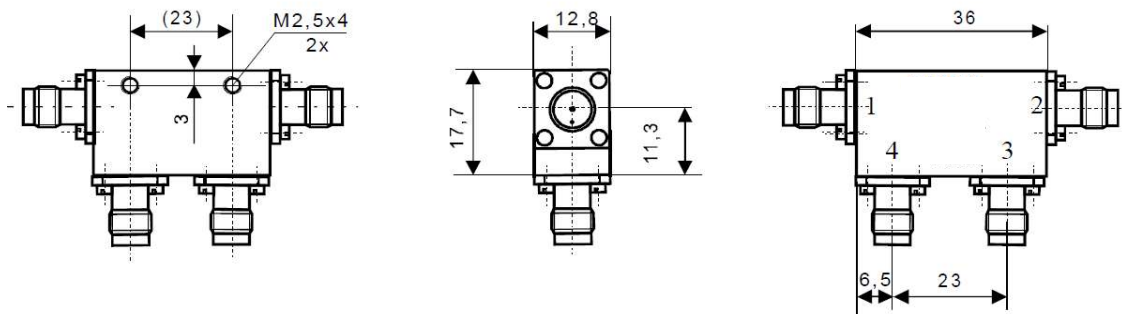


## Coaxial Circulator

CCD 13.5 aaaa



### Electrical Specifications

	Min	Max	Unit
Operating Frequency	13,2	13,8	GHz
Insertion Loss		0,9	dB
Isolation	19		dB
VSWR		1,25:1	
Forward Power		10	W
Reverse Power		10	W

### Mechanical Specifications

Interface/ Connectors	SMA -
Direction	CW
Weight	40 g
Housing Material	AlMgSi; Steel
Surface	Conversion Coating; Ni-coated

### Environmental Specifications

Operating Temp. Range (°C)	-10	+65
----------------------------	-----	-----