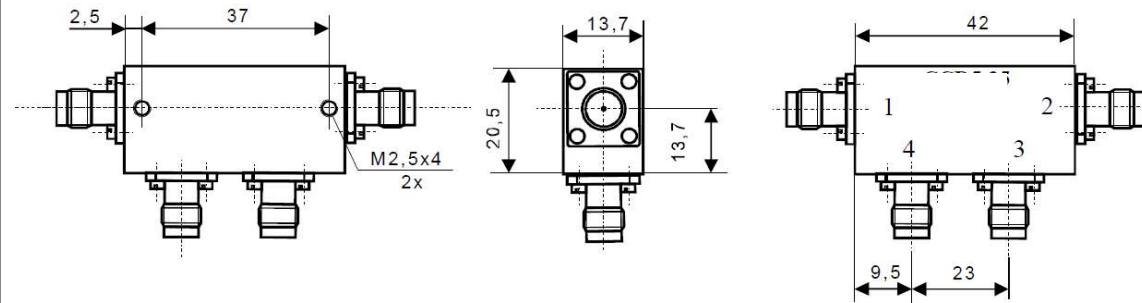


## Coaxial Circulator

### CCD 5.35 aaaa v.2



#### Electrical Specifications

	Min	Max	Unit
Operating Frequency	5,1	5,6	GHz
Insertion Loss		1,4	dB
Isolation	19		dB
VSWR		1,25	
Forward Power		10	W
Reverse Power		10	W

#### Mechanical Specifications

Interface/ Connectors	SMA -
Direction	CW
Weight	80 g
Housing Material	AlMgSi; Steel
Surface	Conversion Coating; Ni-coated

#### Environmental Specifications

Operating Temp. Range (°C)	-10	+65
----------------------------	-----	-----