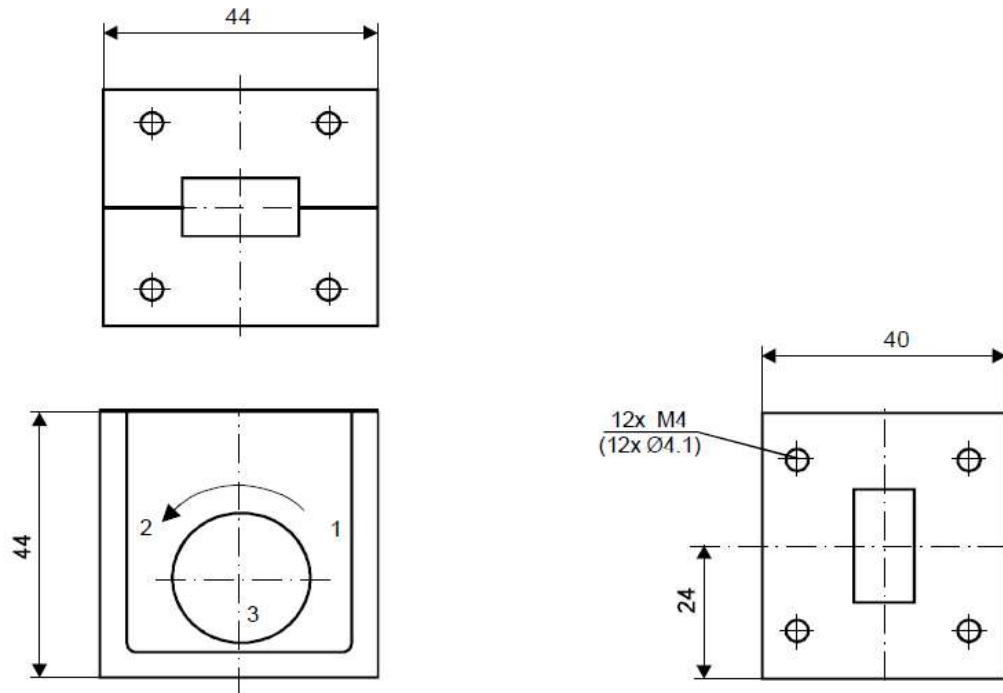


## Waveguide Circulator

### CW 14.125 v.2



Electrical Specifications			
	Min	Max	Unit
Operating Frequency	13,75	14,5	GHz
Insertion Loss		0,3	dB
Isolation	20		dB
VSWR		1,22:1	
Forward Power		10	W
Reverse Power		10	W

Mechanical Specifications	
Interface/ Connectors	WR 75/ UBR 120
Direction	CCW
Weight	150 g
Housing Material	AlMgSi; Steel
Surface	Conversion Coating; Ni-coated

Environmental Specifications		
Operating Temp. Range (°C)	-10	+65