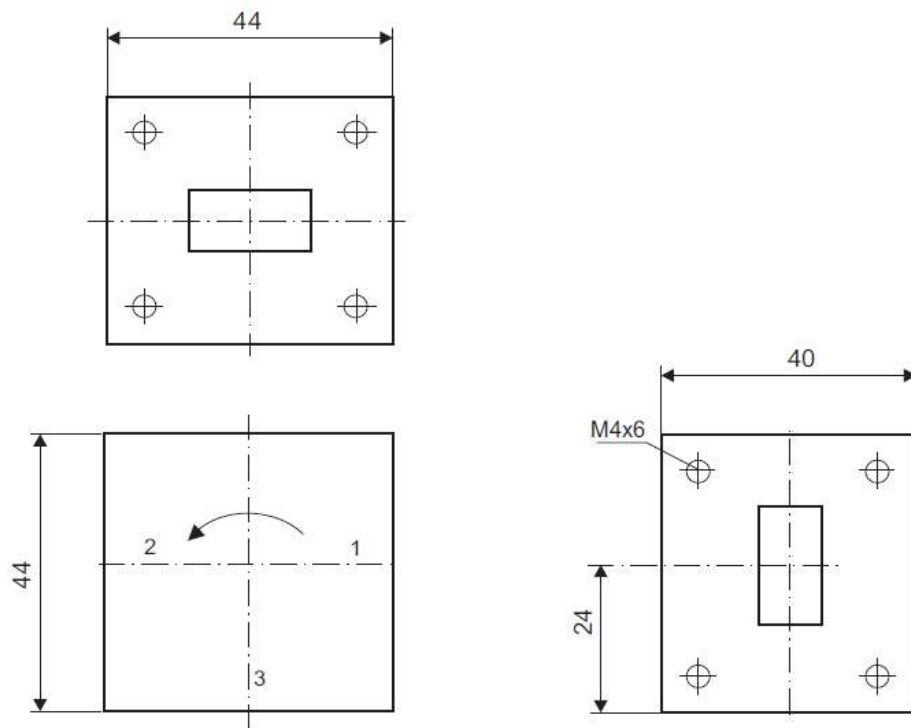


Waveguide Circulator

CW 14.25 v.2



Electrical Specifications

	Min	Max	Unit
Operating Frequency	14	14,5	GHz
Insertion Loss		0,3	dB
Isolation	20		dB
VSWR		1,22:1	
Forward Power		20	W
Reverse Power		20	W

Mechanical Specifications

Interface/ Connectors	WR 75/ UBR 120
Direction	CCW
Weight	200 g
Housing Material	AlMgSi; Steel
Surface	Conversion Coating; Ni-coated

Environmental Specifications

Operating Temp. Range (°C)	-10	+65
----------------------------	-----	-----