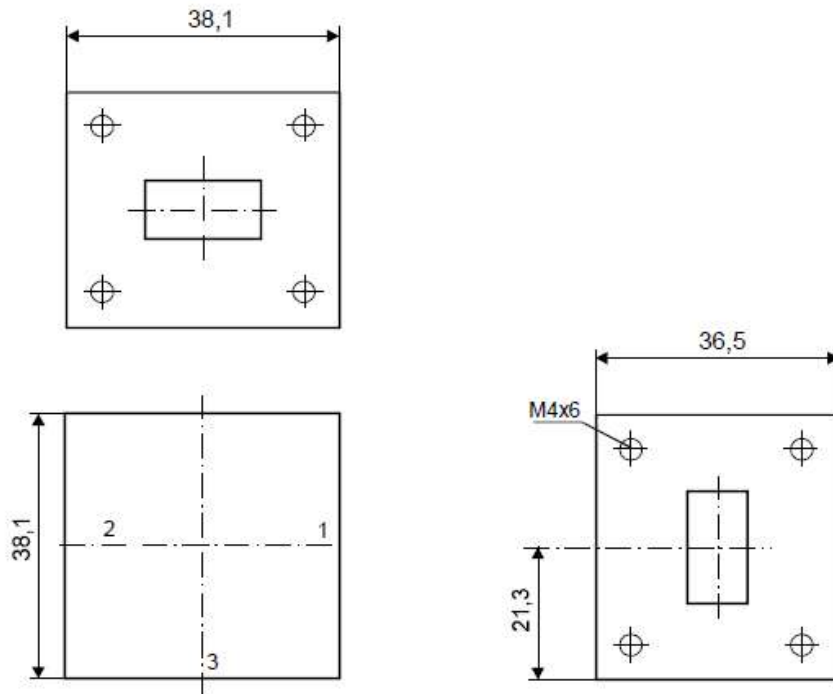


Waveguide Circulator

CW 15



Electrical Specifications

	Min	Max	Unit
Operating Frequency	14	16	GHz
Insertion Loss		0,3	dB
Isolation	20		dB
VSWR		1,22	
Forward Power		10	W
Reverse Power		10	W

Mechanical Specifications

Interface/ Connectors	WR 62/ UBR 140
Direction	CCW
Weight	200 g
Housing Material	AlMgSi; Steel
Surface	Conversion Coating; Ni-coated

Environmental Specifications

Operating Temp. Range (°C)	-10	+65
----------------------------	-----	-----