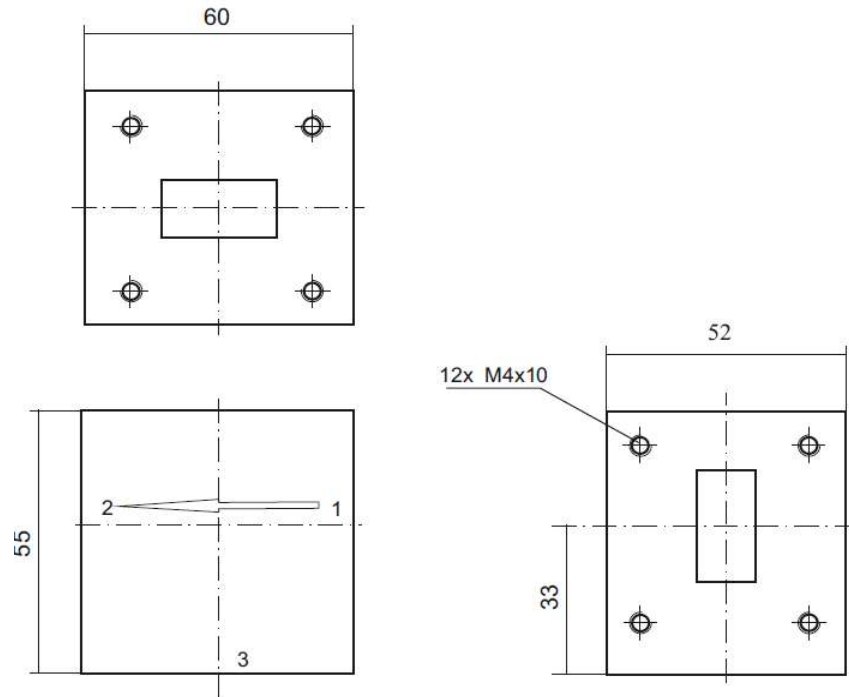


Waveguide Circulator CW 9.5 v.2



Electrical Specifications

	Min	Max	Unit
Operating Frequency	9,15	9,65	GHz
Insertion Loss		0,3	dB
Isolation	25		dB
VSWR		1,15	
Forward Power		10	W
Reverse Power		10	W

Mechanical Specifications

Interface/ Connectors	WR 90/ UBR 100
Direction	CCW
Weight	500 g
Housing Material	AlMgSi; Steel
Surface	Conversion Coating; Ni-coated

Environmental Specifications

Operating Temp. Range (°C)	-10	+65
----------------------------	-----	-----