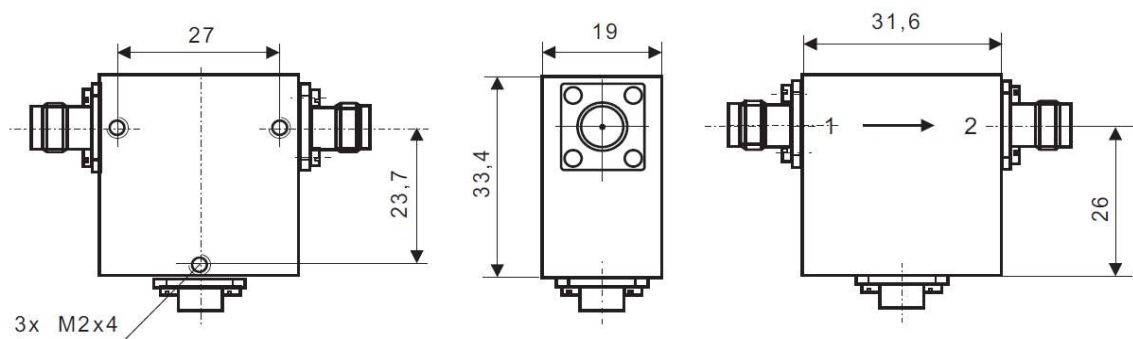


Coaxial Isolator

IC 1.425 aat



Electrical Specifications

	Min	Max	Unit
Operating Frequency	1,3	1,55	GHz
Insertion Loss		0,3	dB
Isolation	23		dB
VSWR		1,15	
Forward Power		100	W
Reverse Power		10	W

Mechanical Specifications

Interface/ Connectors	SMA-
Direction	CW
Weight	90 g
Housing Material	AlMgSi; Steel
Surface	Conversion Coating; Ni-coated

Environmental Specifications

Operating Temp. Range (°C)	-40	+75
----------------------------	-----	-----