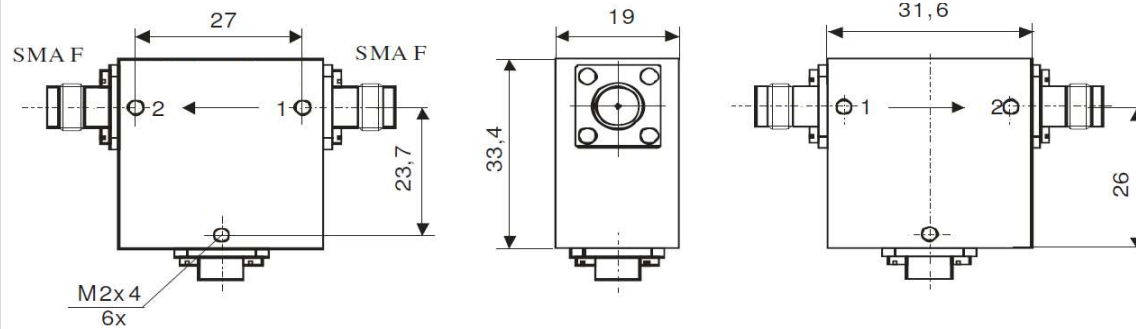


## Coaxial Isolator

### IC 1.437 aat



#### Electrical Specifications

	Min	Max	Unit
Operating Frequency	1,35	1,525	GHz
Insertion Loss		0,3	dB
Isolation	23		dB
VSWR		1,17	
Forward Power		10	W
Reverse Power		1	W

#### Mechanical Specifications

Interface/ Connectors	SMA -
Direction	CW
Weight	100 g
Housing Material	AlMgSi; Steel
Surface	Conversion Coating; Ni-coated

#### Environmental Specifications

Operating Temp. Range (° C)	-10	+65
-----------------------------	-----	-----