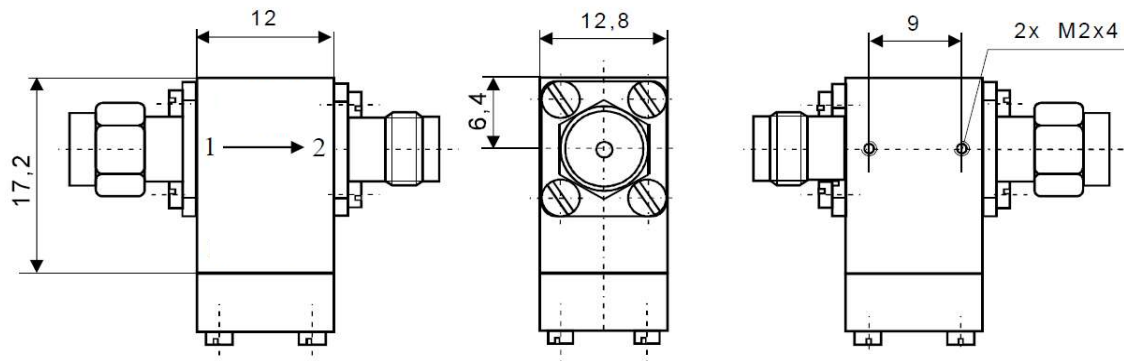


Coaxial Isolator

IC 10.4-4W bat v.3



Electrical Specifications

	Min	Max	Unit
Operating Frequency	10,15	10,65	GHz
Insertion Loss		0,5	dB
Isolation	20		dB
VSWR		1,29	
Forward Power		4	W
Reverse Power		4	W

Mechanical Specifications

Interface/ Connectors	SMA+; -
Direction	CW
Weight	25 g
Housing Material	AlMgSi; Steel
Surface	Conversion Coating; Ni-coated

Environmental Specifications

Operating Temp. Range (°C)	-40	+85
----------------------------	-----	-----