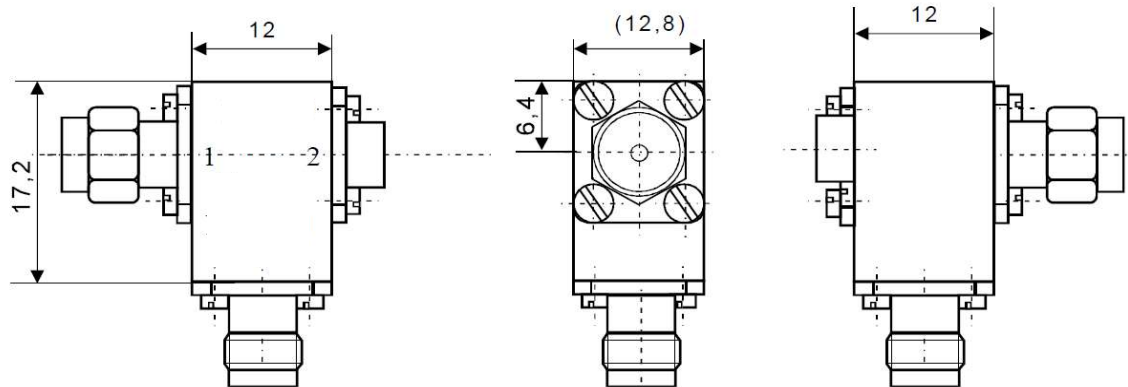


Coaxial Isolator

IC 10.5 bta



Electrical Specifications

	Min	Max	Unit
Operating Frequency	10	11	GHz
Insertion Loss		0,5	dB
Isolation	20		dB
VSWR		1,29	
Forward Power		1	W
Reverse Power		1	W

Mechanical Specifications

Interface/ Connectors	SMA +	SMA -
Direction	CW	
Weight	25 g	
Housing Material	AlMgSi; Steel	
Surface	Conversion Coating; Ni-coated	

Environmental Specifications

Operating Temp. Range (°C)	-40	+85
----------------------------	-----	-----