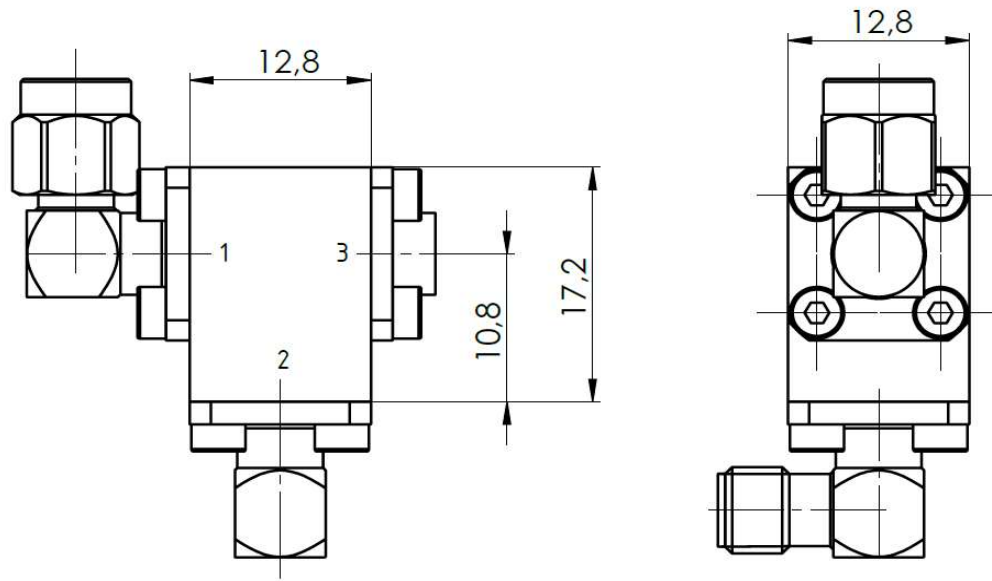


Coaxial Isolator

IC 13.0 r.a. v.2



Electrical Specifications

	Min	Max	Unit
Operating Frequency	12,7	13,3	GHz
Insertion Loss		0,5	dB
Isolation	18		dB
VSWR		1,3	
Forward Power		4	W
Reverse Power		4	W

Mechanical Specifications

Interface/ Connectors	SMA +	SMA -
Direction	CCW	
Weight	25 g	
Housing Material	AlMgSi; Steel	
Surface	Conversion Coating; Ni-coated	

Environmental Specifications

Operating Temp. Range (°C)	-30	+70
----------------------------	-----	-----