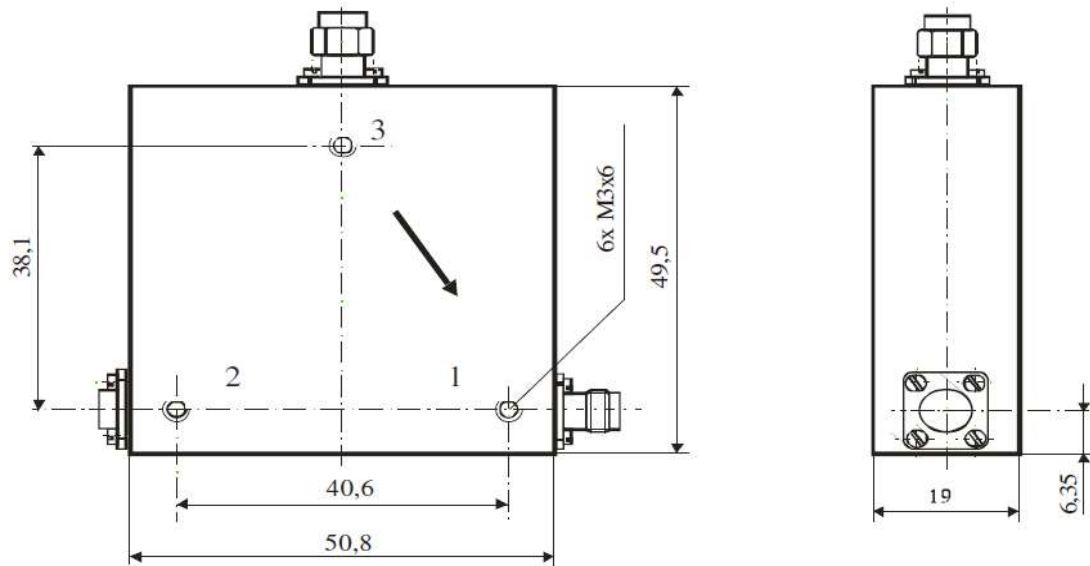


## Coaxial Isolator

### IC 1327 K- 10W atb



#### Electrical Specifications

	Min	Max	Unit
Operating Frequency	1,35	2,7	GHz
Insertion Loss		0,8	dB
Isolation	15		dB
VSWR		1,35	
Forward Power		20	W
Reverse Power		10	W

#### Mechanical Specifications

Interface/ Connectors	SMA +	SMA -
Direction	CW	
Weight	175 g	
Housing Material	AlMgSi; Steel	
Surface	Conversion Coating; Ni-coated	

#### Environmental Specifications

Operating Temp. Range (°C)	-40	+85
----------------------------	-----	-----