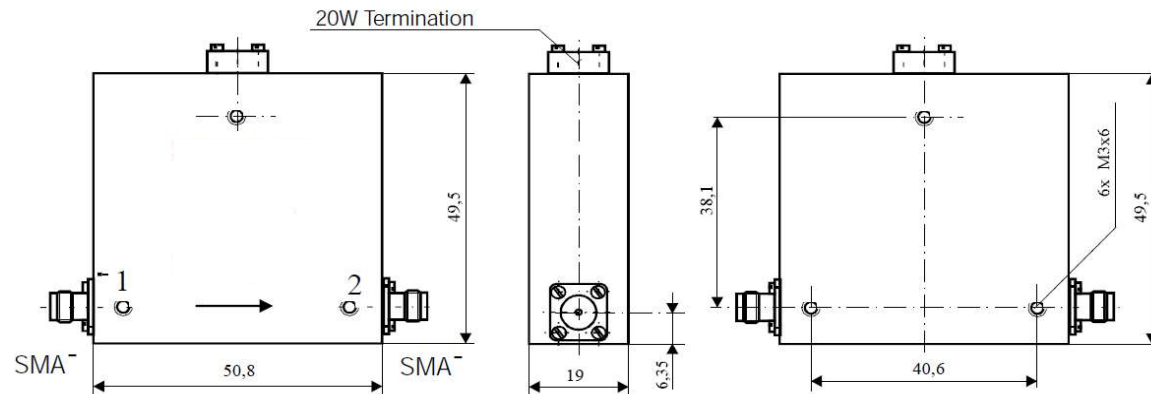


## Coaxial Isolator

### IC 1327K-20W aat



#### Electrical Specifications

|                     | Min | Max      | Unit |
|---------------------|-----|----------|------|
| Operating Frequency | 1,3 | 2,7      | GHz  |
| Insertion Loss      |     | 0,5      | dB   |
| Isolation           | 17  |          | dB   |
| VSWR                |     | 1,35 : 1 |      |
| Forward Power       |     | 20       | W    |
| Reverse Power       |     | 50       | W    |

#### Mechanical Specifications

|                       |                               |
|-----------------------|-------------------------------|
| Interface/ Connectors | SMA-                          |
| Direction             | CCW                           |
| Weight                | 175 g                         |
| Housing Material      | AlMgSi; Steel                 |
| Surface               | Conversion Coating; Ni-coated |

#### Environmental Specifications

|                            |     |     |
|----------------------------|-----|-----|
| Operating Temp. Range (°C) | -40 | +85 |
|----------------------------|-----|-----|