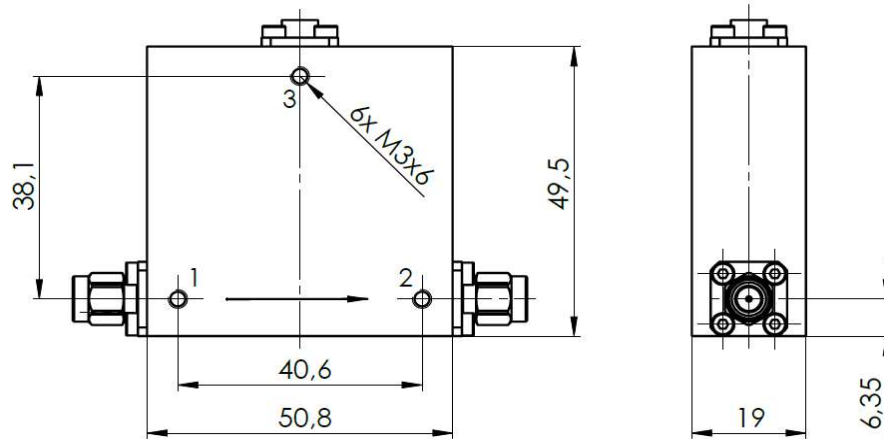


## Coaxial Isolator

### IC 2.05 bbt



#### Electrical Specifications

	Min	Max	Unit
Operating Frequency	1,9	2,2	GHz
Insertion Loss		0,5	dB
Isolation	20		dB
VSWR		1,25:1	
Forward Power		2	W
Reverse Power		2	W

#### Mechanical Specifications

Interface/ Connectors	SMA+
Direction	CW
Weight	175 g
Housing Material	AlMgSi; Steel
Surface	Conversion Coating; Ni-coated

#### Environmental Specifications

Operating Temp. Range (°C)	0	+70
----------------------------	---	-----