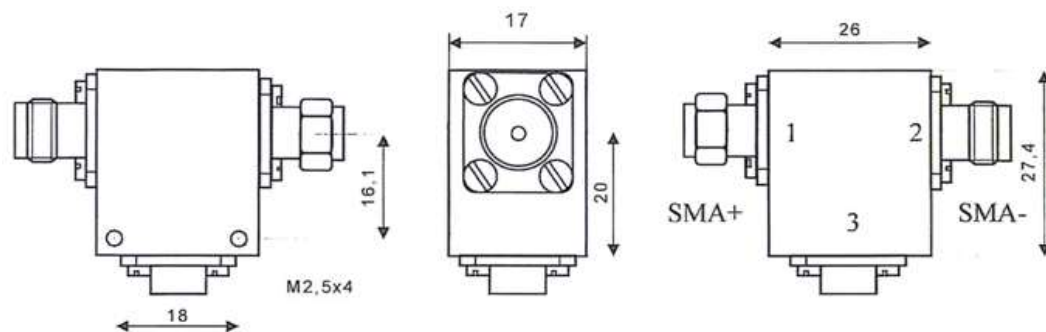


Coaxial Isolator

IC 2.65 bat v.2



Electrical Specifications

	Min	Max	Unit
Operating Frequency	2,5	2,8	GHz
Insertion Loss		0,5	dB
Isolation	20		dB
VSWR		1,22:1	
Forward Power		10	W
Reverse Power		1	W

Mechanical Specifications

Interface/ Connectors	SMA +	SMA -
Direction	CW	
Weight	60 g	
Housing Material	AlMgSi; Steel	
Surface	Conversion Coating; Ni-coated	

Environmental Specifications

Operating Temp. Range (° C)	-10	+70
-----------------------------	-----	-----