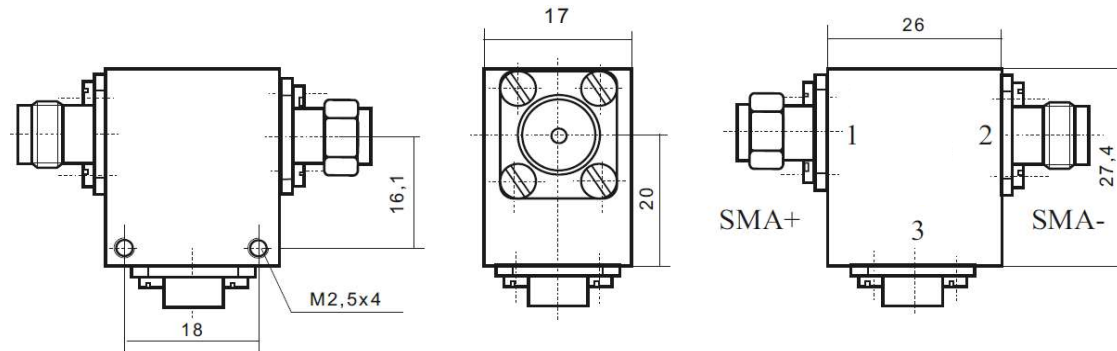


Coaxial Isolator

IC 2.85 bat



Electrical Specifications

	Min	Max	Unit
Operating Frequency	2,7	3	GHz
Insertion Loss		0,25	dB
Isolation	20		dB
VSWR		1.25:1	
Forward Power		10	W
Reverse Power		10	W

Mechanical Specifications

Interface/ Connectors	SMA+, SMA-
Direction	CW
Weight	60 g
Housing Material	AlMgSi; Steel
Surface	Conversion Coating; Ni-coated

Environmental Specifications

Operating Temp. Range (°C)	-10	+70
----------------------------	-----	-----