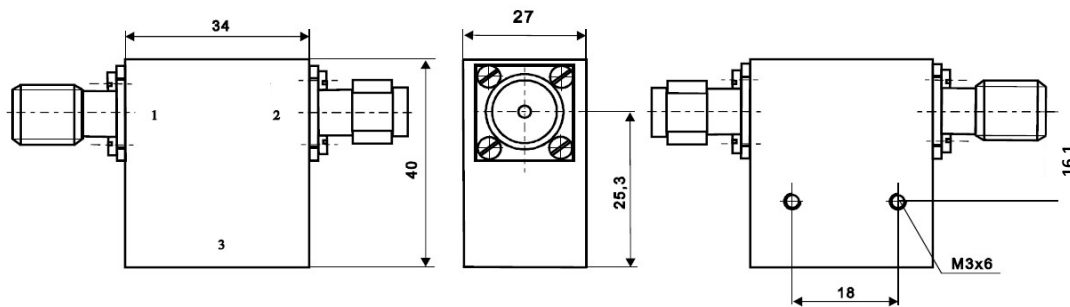


Coaxial Isolator

IC 3.05-20W cdt



Electrical Specifications

| | Min | Max | Unit |
|---------------------|-----|------|------|
| Operating Frequency | 2,8 | 3,3 | GHz |
| Insertion Loss | | 0,5 | dB |
| Isolation | 18 | | dB |
| VSWR | | 1,25 | |
| Forward Power | | 20 | W |
| Reverse Power | | 20 | W |

Mechanical Specifications

| | |
|-----------------------|-------------------------------|
| Interface/ Connectors | N-; N+ |
| Direction | CW |
| Weight | 100 g |
| Housing Material | AlMgSi; Steel |
| Surface | Conversion Coating; Ni-coated |

Environmental Specifications

| | | |
|----------------------------|---|-----|
| Operating Temp. Range (°C) | 0 | +50 |
|----------------------------|---|-----|