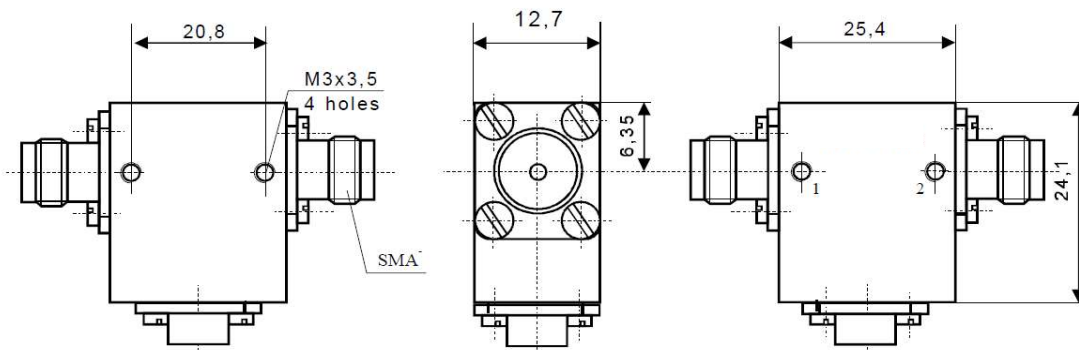


Coaxial Isolator IC 4.3 aat



Electrical Specifications

	Min	Max	Unit
Operating Frequency	4,2	4,4	GHz
Insertion Loss		0,3	dB
Isolation	25		dB
VSWR		1,17:1	
Forward Power		1	W
Reverse Power		1	W

Mechanical Specifications

Interface/ Connectors	SMA -
Direction	CW
Weight	60 g
Housing Material	AlMgSi; Steel
Surface	Conversion Coating; Ni-coated

Environmental Specifications

Operating Temp. Range (°C)	0	+70
----------------------------	---	-----