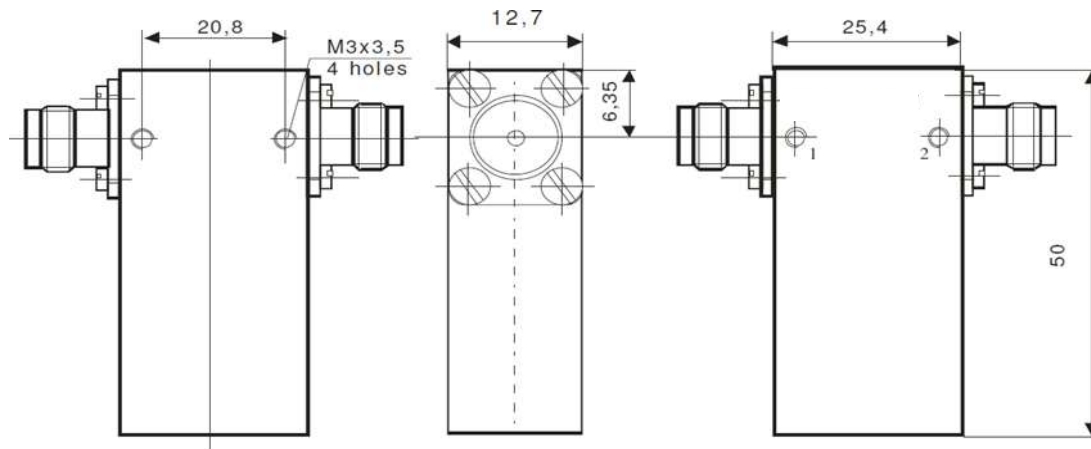


Coaxial Isolator IC 4.7 50W



Electrical Specifications

	Min	Max	Unit
Operating Frequency	4,4	5	GHz
Insertion Loss		0,4	dB
Isolation	20		dB
VSWR		1,25 :1	
Forward Power		50	W
Reverse Power		50	W

Mechanical Specifications

Interface/ Connectors	SMA -
Direction	CW
Weight	120 g
Housing Material	AlMgSi;Steel
Surface	Conversion Coating; Ni-coated

Environmental Specifications

Operating Temp. Range (° C)	-20	+70
-----------------------------	-----	-----