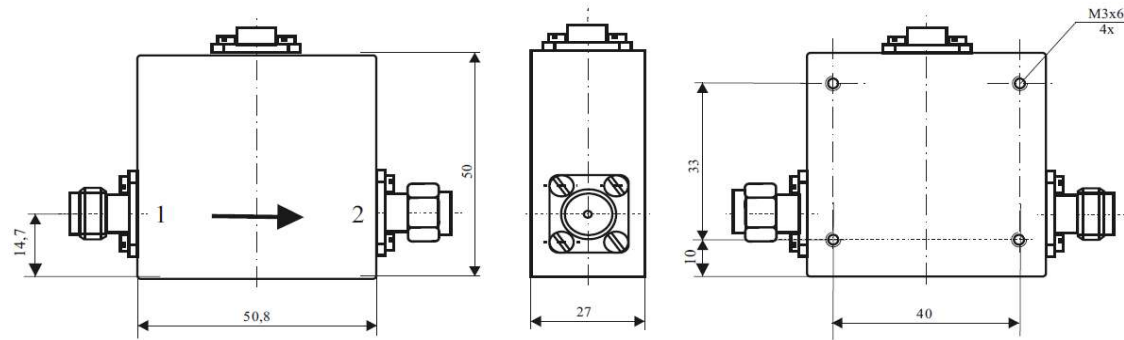


Coaxial Isolator

IC 435 abt



Electrical Specifications

| | Min | Max | Unit |
|---------------------|------|------|------|
| Operating Frequency | 0,41 | 0,46 | GHz |
| Insertion Loss | | 5 | dB |
| Isolation | 20 | | dB |
| VSWR | | 1,25 | |
| Forward Power | | 1 | W |
| Reverse Power | | 1 | W |

Mechanical Specifications

| | | |
|-----------------------|-------------------------------|-------|
| Interface/ Connectors | SMA - | SMA + |
| Direction | CCW | |
| Weight | 400 g | |
| Housing Material | AlMgSi; Steel | |
| Surface | Conversion Coating; Ni-coated | |

Environmental Specifications

| | | |
|----------------------------|-----|-----|
| Operating Temp. Range (°C) | -40 | +70 |
|----------------------------|-----|-----|