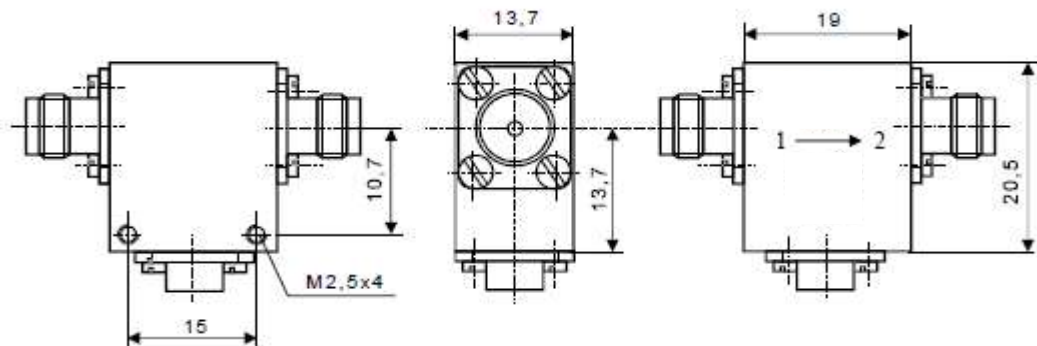


Coaxial Isolator

IC 5.65 aat



Electrical Specifications

	Min	Max	Unit
Operating Frequency	5,3	6	GHz
Insertion Loss		0,5	dB
Isolation	25		dB
VSWR		1,2 : 1	
Forward Power		5	W
Reverse Power		1	W

Mechanical Specifications

Interface/ Connectors	SMA -
Direction	CW
Weight	60 g
Housing Material	AlMgSi; Steel
Surface	Conversion Coating; Ni-coated

Environmental Specifications

Operating Temp. Range (° C)	-15	+70
-----------------------------	-----	-----