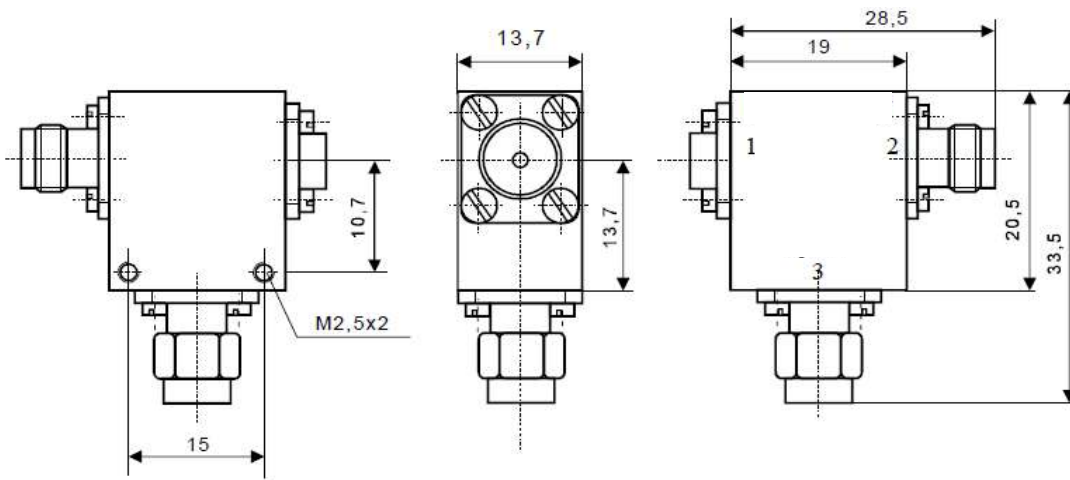


## Coaxial Isolator

### IC 6.1-10W tab



#### Electrical Specifications

	Min	Max	Unit
Operating Frequency	5,9	6,4	GHz
Insertion Loss		0,4	dB
Isolation	24		dB
VSWR		1,17	
Forward Power		10	W
Reverse Power		10	W

#### Mechanical Specifications

Interface/ Connectors	SMA+	SMA-
Direction	CW	
Weight	28 g	
Housing Material	AlMgSi; Steel	
Surface	Conversion Coating; Ni-coated	

#### Environmental Specifications

Operating Temp. Range (° C)	-10	+65
-----------------------------	-----	-----