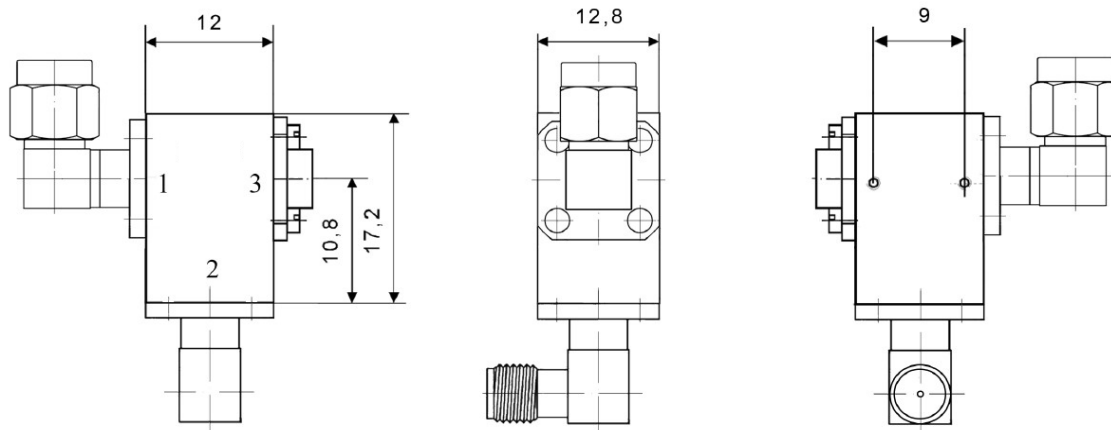


Coaxial Isolator

IC 6.5 r.a.



Electrical Specifications

	Min	Max	Unit
Operating Frequency	5,8	7,9	GHz
Insertion Loss		0,5	dB
Isolation	18		dB
VSWR		1,3	
Forward Power		2	W
Reverse Power		2	W

Mechanical Specifications

Interface/ Connectors	SMA+	SMA-
Direction	CCW	
Weight	30 g	
Housing Material	AlMgSi; Steel	
Surface	Conversion Coating; Ni-coated	

Environmental Specifications

Operating Temp. Range (°C)	-30	+70
----------------------------	-----	-----