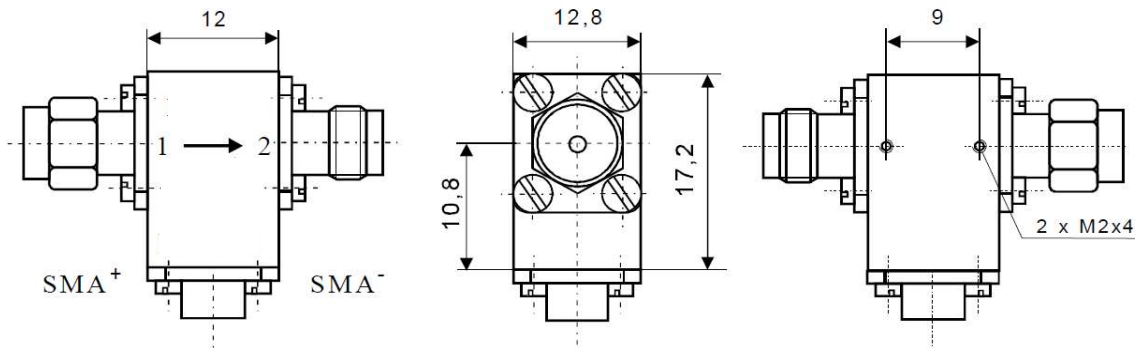


## Coaxial Isolator IC 6.8 bat



### Electrical Specifications

	Min	Max	Unit
Operating Frequency	6,75	6,85	GHz
Insertion Loss		0,25	dB
Isolation	23		dB
VSWR		1,2:1	
Forward Power		1	W
Reverse Power		1	W

### Mechanical Specifications

Interface/ Connectors	SMA+	SMA-
Direction	CW	
Weight	25 g	
Housing Material	AlMgSi; Steel	
Surface	Conversion Coating; Ni-coated	

### Environmental Specifications

Operating Temp. Range (Celcius)	-10	+65
---------------------------------	-----	-----