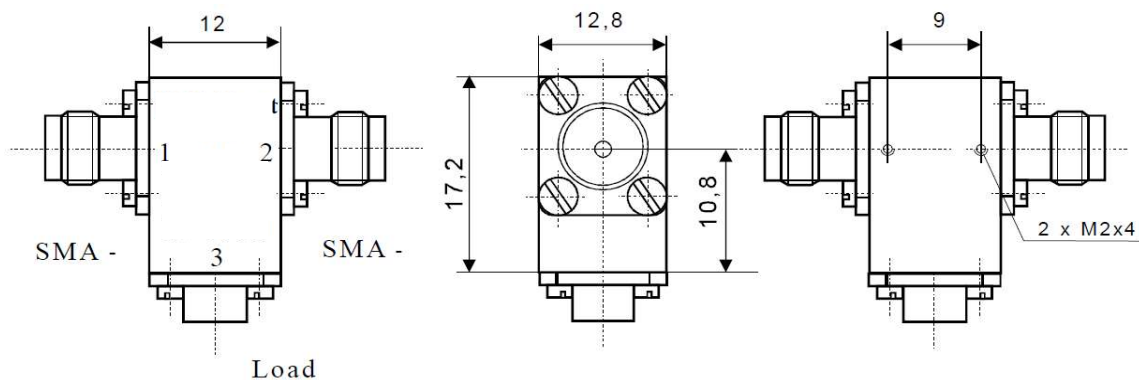


## Coaxial Isolator

IC 8.15 aat v.2



### Electrical Specifications

	Min	Max	Unit
Operating Frequency	7,9	8,4	GHz
Insertion Loss		0,4	dB
Isolation	23		dB
VSWR		1,15:1	
Forward Power		10	W
Reverse Power		10	W

### Mechanical Specifications

Interface/ Connectors	SMA-
Direction	CW
Weight	25 g
Housing Material	AlMgSi; Steel
Surface	Conversion Coating M-NT

### Environmental Specifications

Operating Temp. Range (°C)	-20	+65
----------------------------	-----	-----