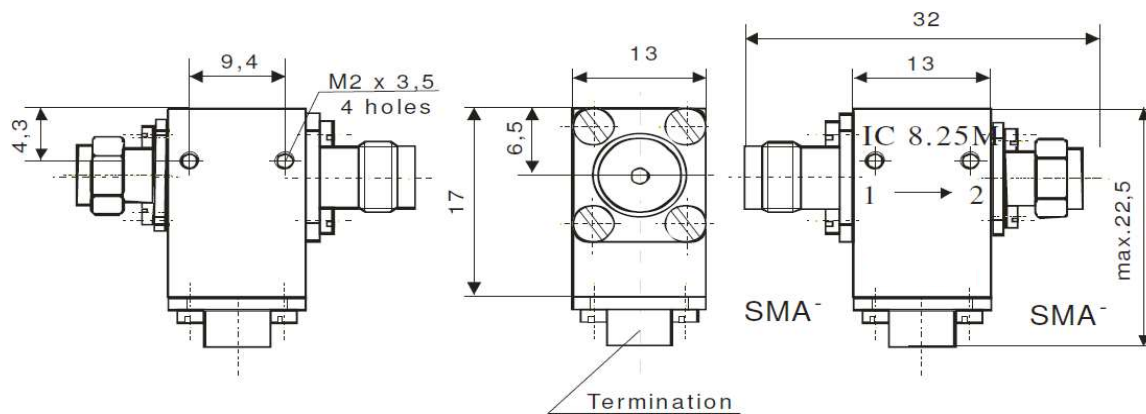


Coaxial Isolator

IC 8.25 M bat



Electrical Specifications

	Min	Max	Unit
Operating Frequency	8	8,5	GHz
Insertion Loss		0,3	dB
Isolation	23		dB
VSWR		1,15	
Forward Power		1	W
Reverse Power		1	W

Mechanical Specifications

Interface/ Connectors	SMA+, -
Direction	CW
Weight	25 g
Housing Material	AlMgSi; Steel
Surface	Conversion Coating; Ni-coated

Environmental Specifications

Operating Temp. Range (°C)	-10	+60
----------------------------	-----	-----