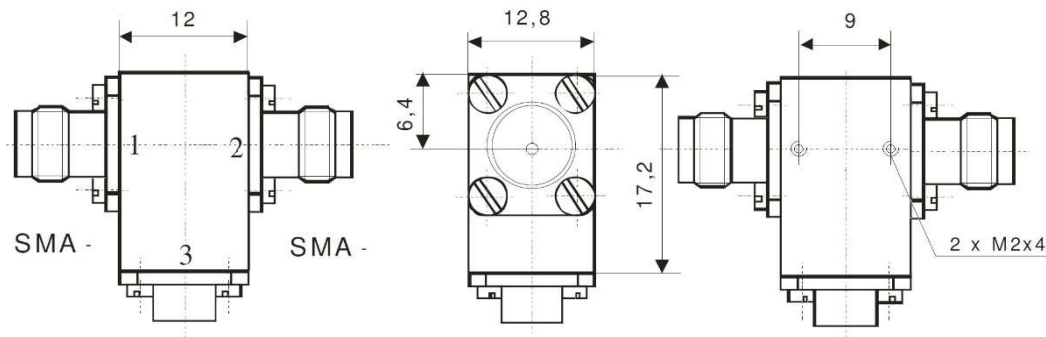


Coaxial Isolator

IC 8.25 aat v.2



Electrical Specifications

	Min	Max	Unit
Operating Frequency	7,95	8,55	GHz
Insertion Loss		0,5	dB
Isolation	23		dB
VSWR		4:48	
Forward Power		10	W
Reverse Power		1	W

Mechanical Specifications

Interface/ Connectors	IN:SMA-; OUT SMA+
Direction	CW
Weight	25 g
Housing Material	AlMgSi; Steel
Surface	Conversion Coating; Ni-coated

Environmental Specifications

Operating Temp. Range (°C)	-20	+70
----------------------------	-----	-----