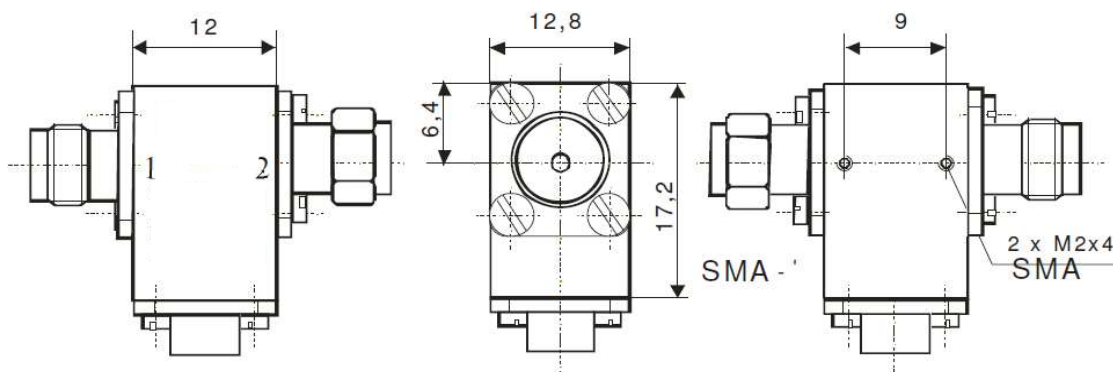


Coaxial Isolator

IC 8.25 abt



Electrical Specifications

	Min	Max	Unit
Operating Frequency	8	8,5	GHz
Insertion Loss		0,4	dB
Isolation	20		dB
VSWR		1:22	
Forward Power		10	W
Reverse Power		1	W

Mechanical Specifications

Interface/ Connectors	IN:SMA-; OUT SMA+
Direction	CW
Weight	25 g
Housing Material	AlMgSi; Steel
Surface	Conversion Coating; Ni-coated

Environmental Specifications

Operating Temp. Range (°C)	-20	+65
----------------------------	-----	-----