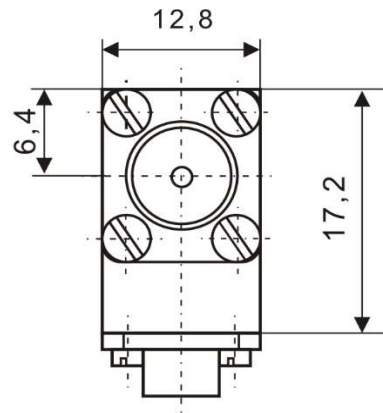
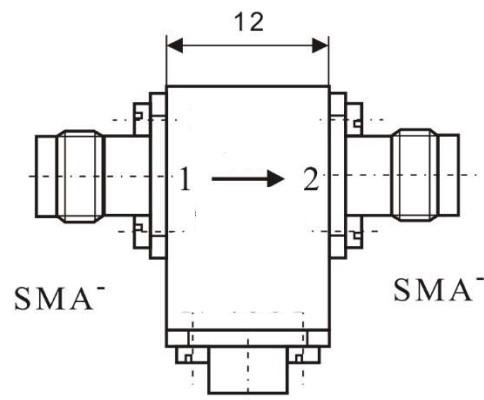


## Coaxial Isolator

IC 9.2 aat v.2



### Electrical Specifications

	Min	Max	Unit
Operating Frequency	9	9,4	GHz
Insertion Loss		0,4	dB
Isolation	23		dB
VSWR		1,17	
Forward Power		1	W
Reverse Power		1	W

### Mechanical Specifications

Interface/ Connectors	SMA-
Direction	CW
Weight	25 g
Housing Material	AlMgSi; Steel
Surface	Conversion Coating; Ni-coated

### Environmental Specifications

Operating Temp. Range (°C)	-10	+65
----------------------------	-----	-----