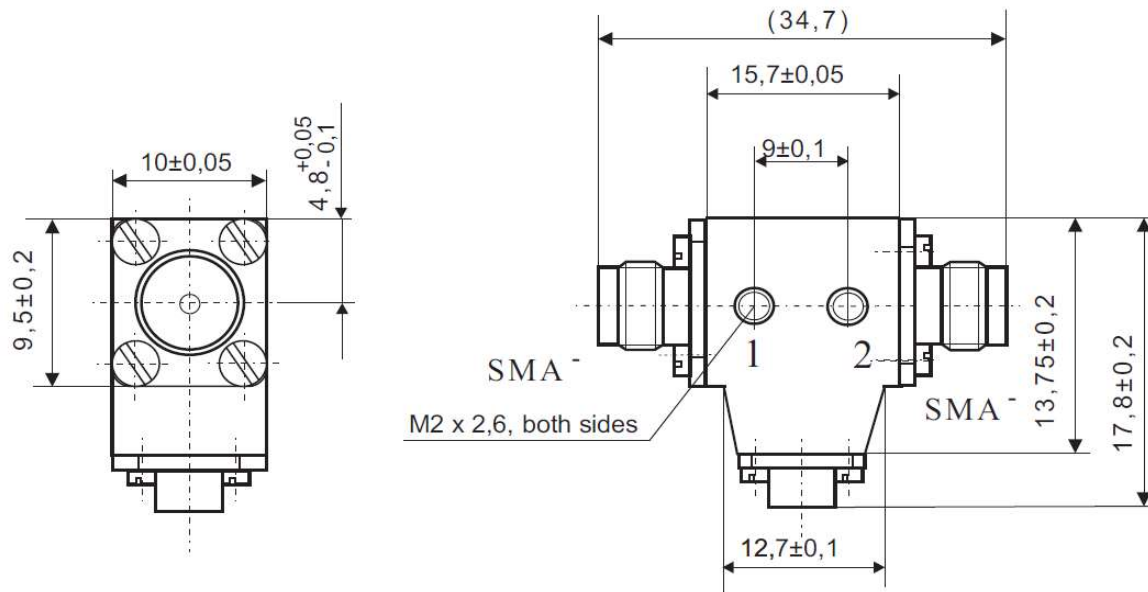


Coaxial Isolator

IC 9.4 aat v.5



Electrical Specifications

	Min	Max	Unit
Operating Frequency	9	9,8	GHz
Insertion Loss		0,5	dB
Isolation	21		dB
VSWR		1,25	
Forward Power		1	W
Reverse Power		1	W

Mechanical Specifications

Interface/ Connectors	SMA-
Direction	CW
Weight	15 g
Housing Material	AlMgSi; Steel
Surface	Conversion Coating; Ni-coated

Environmental Specifications

Operating Temp. Range (°C)	-40	+85
----------------------------	-----	-----