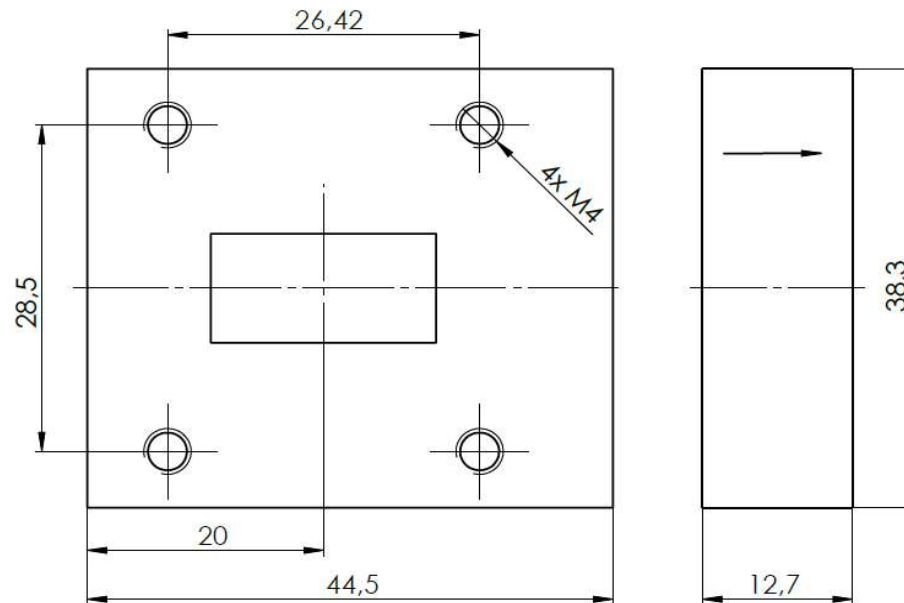


Waveguide Isolator

IFW 11.45



Electrical Specifications

	Min	Max	Unit
Operating Frequency	11,2	11,7	GHz
Insertion Loss		0,35	dB
Isolation	18		dB
VSWR		1,29	
Forward Power		5	W
Reverse Power		1	W

Mechanical Specifications

Interface/ Connectors	WR 75/ UBR 120
Direction	marked on the device
Weight	60 g
Housing Material	AlMgSi;Steel
Surface	Conversion Coating; Ni-coated

Environmental Specifications

Operating Temp. Range (°C)	-30	+80
----------------------------	-----	-----