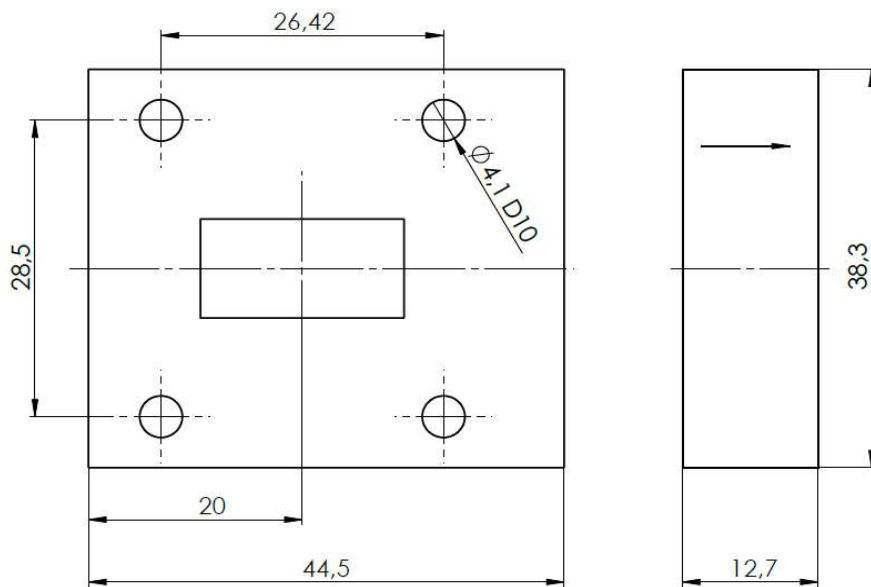


## Waveguide Isolator

IFW 13 v.3



### Electrical Specifications

	Min	Max	Unit
Operating Frequency	12,7	13,3	GHz
Insertion Loss		0,35	dB
Isolation	18		dB
VSWR		1,29	
Forward Power		5	W
Reverse Power		1	W

### Mechanical Specifications

Interface/ Connectors	WR 75/	UBR 120
Direction	marked on the device	
Weight	60 g	
Housing Material	AlMgSi; Steel	
Surface	Conversion Coating; Ni-coated	

### Environmental Specifications

Operating Temp. Range (°C)	-30	+70
----------------------------	-----	-----