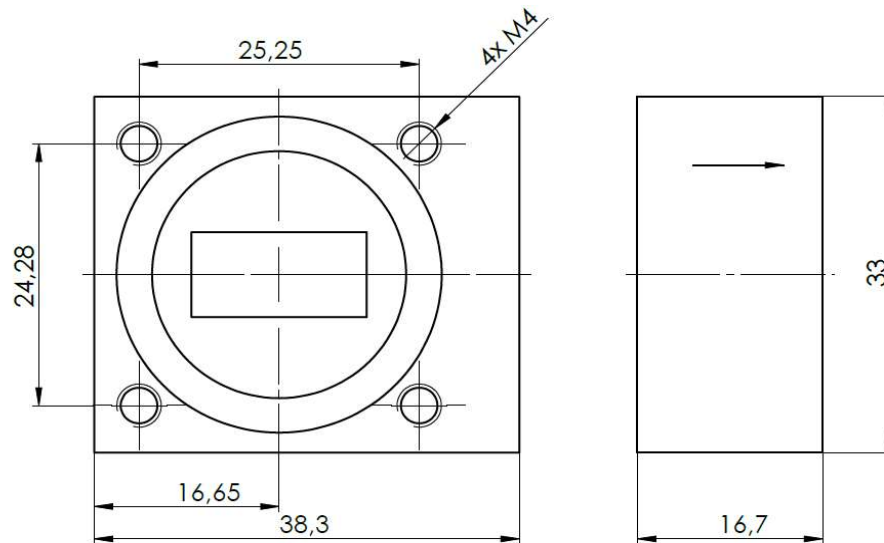


Waveguide Isolator

IFW 14.625 v.2



Electrical Specifications

	Min	Max	Unit
Operating Frequency	14,4	14,85	GHz
Insertion Loss		0,4	dB
Isolation	18		dB
VSWR		1,29	
Forward Power		5	W
Reverse Power		1	W

Mechanical Specifications

Interface/ Connectors	WR 62/	UBR 140
Direction	marked on the device	
Weight	200 g	
Housing Material	AlMgSi; Steel	
Surface	Conversion Coating; Ni-coated	

Environmental Specifications

Operating Temp. Range (°C)	-40	+85
----------------------------	-----	-----